

02	ADDITIONAL UPGRADE	ET	PG		25/05/02
01A	CLONED FROM 226-00208-05A	PG	-	?	20/05/02
REV/ISS	AMENDMENTS	DRAWN	CHKD	D. O.	APUD DATE
1					

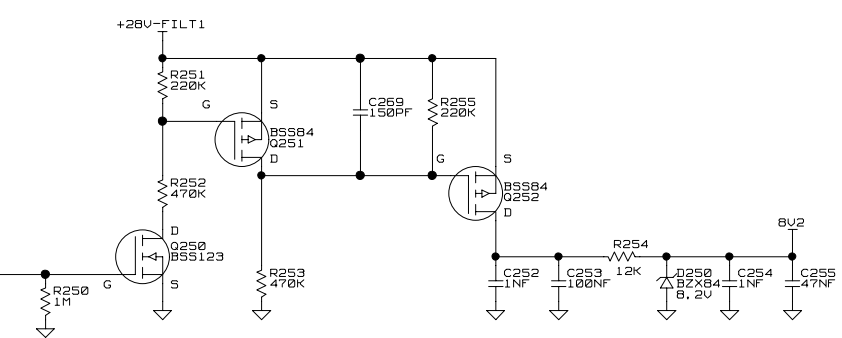
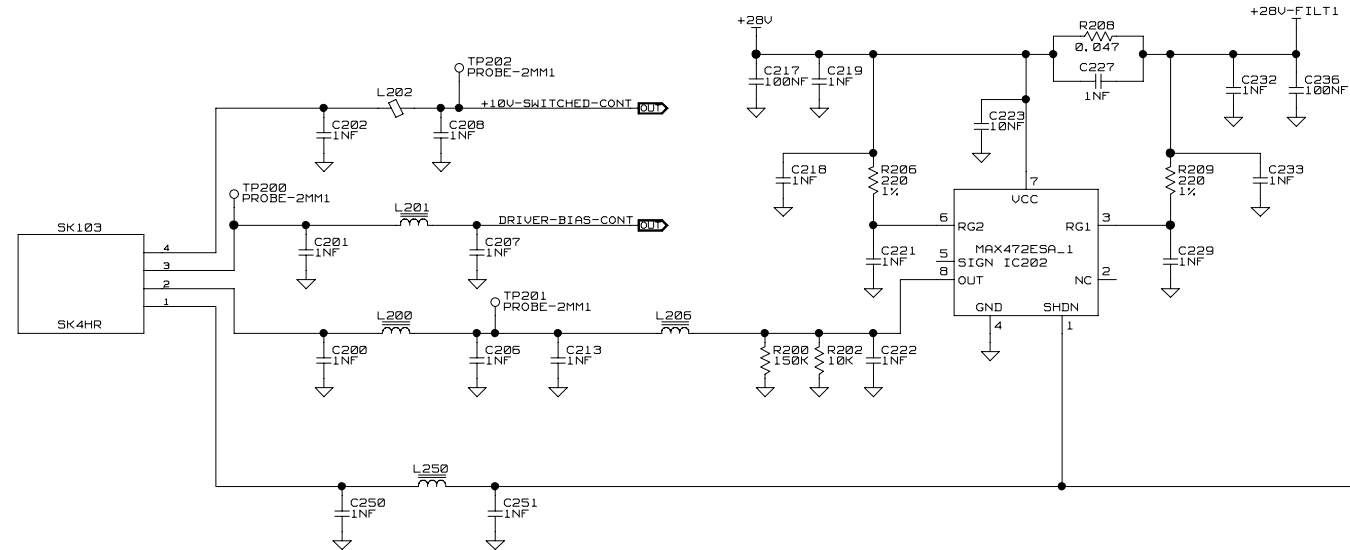
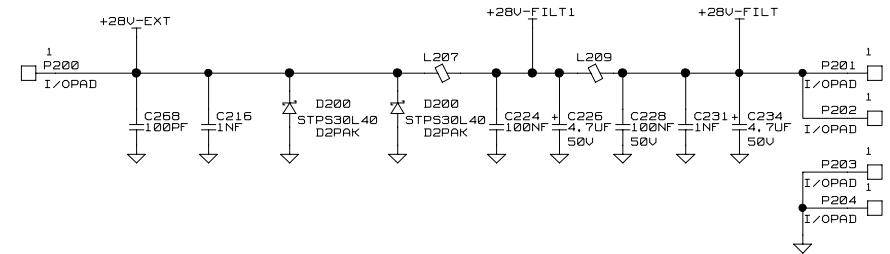
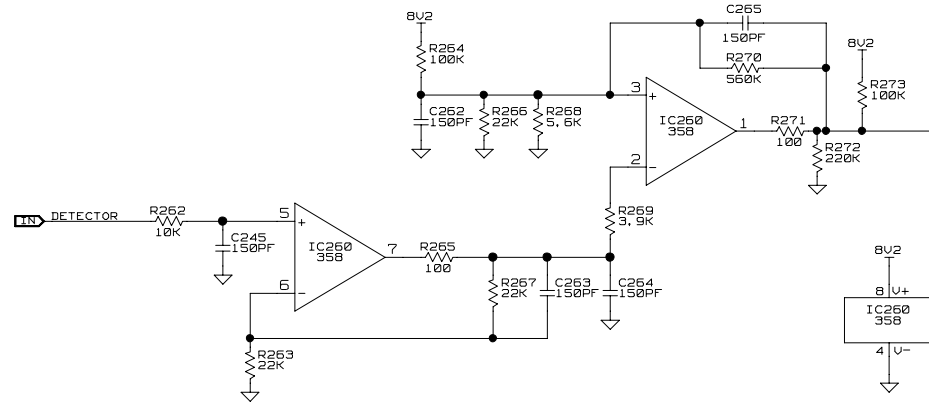
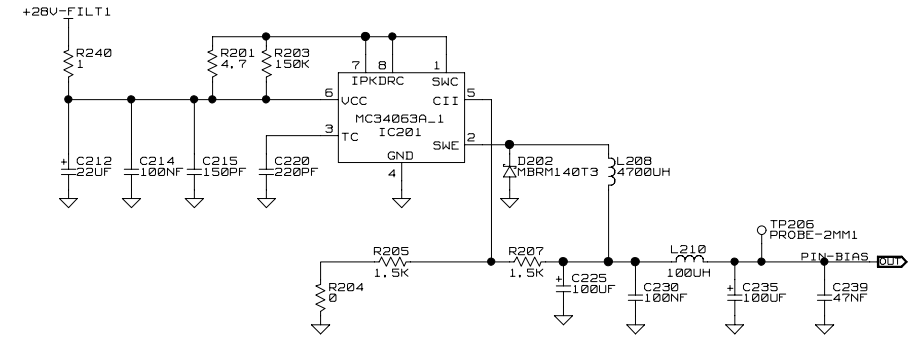
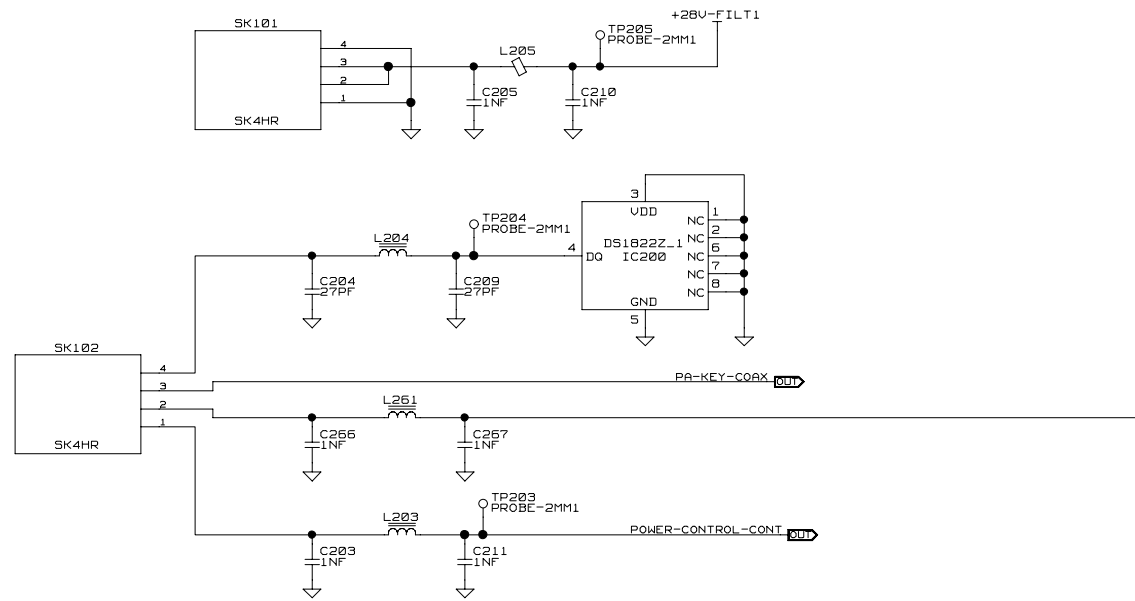
TOPBAD
BADMARK

© TAIT ELECTRONICS A1

T8000
6W MODULE

IPN: 220-02001-02 ISSUE: VARIANT NUMBER:

ENGINEER: FILE NAME: FILE DATE: SHEET NUMBER:
CN 220-02001.SCH 25/05/02 1 OF 2



02	ADDITIONAL UPGRADE	ET	PG		25/05/02
01A	CLONED FROM 225-00208-05A	PG	-	?	20/05/02
REV/ISS	AMENDMENTS	DRAWN	CHKD	D. O.	APUD DATE

© TAIT ELECTRONICS A1
 T8000
 6W MODULE
 IPN: 220-02001-02 ISSUE: VARIANT NUMBER:
 ENGINEER: FILE NAME: FILE DATE: SHEET NUMBER:
 CN 220_02001.SCH 25/05/02 2 of 2